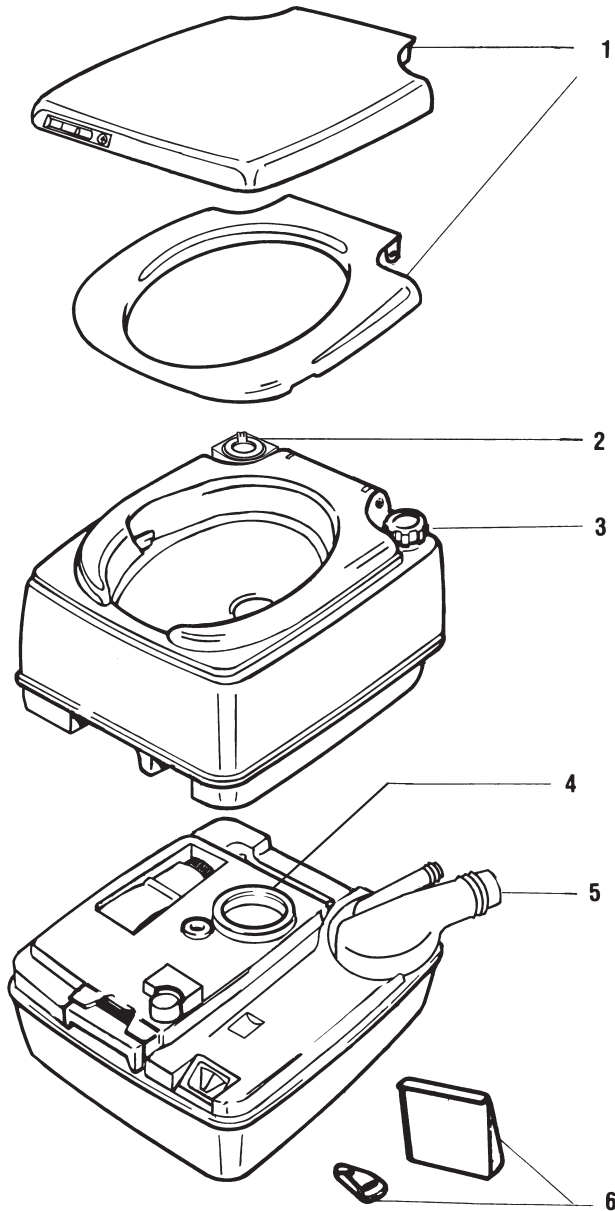


# Porta Potti®

365 MSD (Pre-2006)  
365 (Post-2006)

Portable, Two-Piece,  
Fresh Water Flush Toilet



NO.	PART NO.	DESCRIPTION
1	0733179*	SEAT AND COVER, WHITE
	07331	<i>SUPERSEDED BY 0733179</i>
2	25818*	PISTON PUMP ASSEMBLY
3	35804*	NO-SPILL WATER FILL CAP
4	07101	LIP SEAL
5	N/A	<i>PUMP-OUT SPOUT</i>
6	92922111	HOLD DOWN KIT (PP 365 MSD)
	35801	<i>SUPERSEDED BY 92922111</i>

NOT SHOWN	
PART NO.	DESCRIPTION
29311	<i>FLUSH TUBE</i>
0749262	POUR-OUT SPOUT
07492	<i>SUPERSEDED BY 0749262</i>
0749362	POUR-OUT SPOUT CAP
07493	<i>SUPERSEDED BY 0749362</i>

Not available

\* Limited Availability